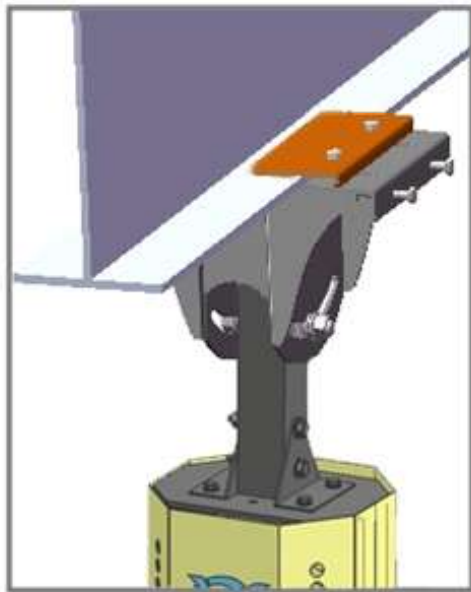


## Intallation method

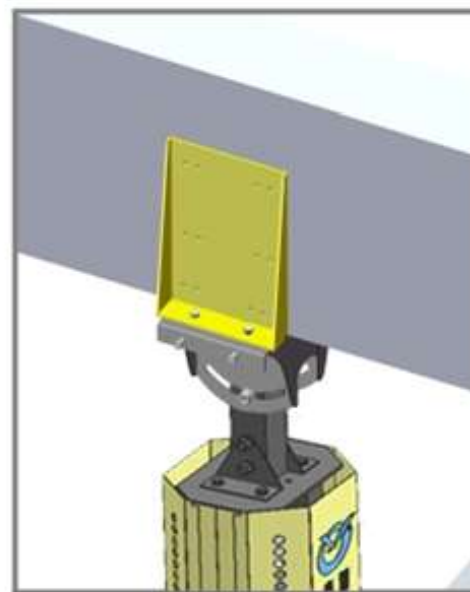
**A: Installation on H Beam or I Beam structure steel: using pressing plate of 8mm thickness to fix.**

**B: Fixing on steel concrete beam: using 8 mm stickness 90 degree, using the wearing screw or expansion screw, fixing both right or left.**

**C: The fixing of grid stucture:using v stucture or semi-circle to hoop bolts tensioned.**



**A**



**B**



**C**