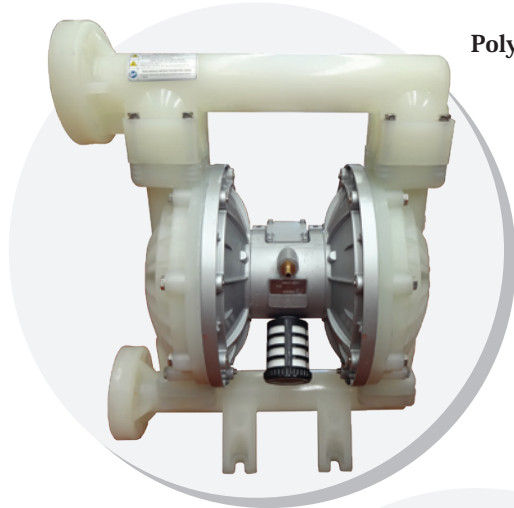


Tideway®

PNEUMATIC DIAPHRAGM PUMP GMB-50 (2")

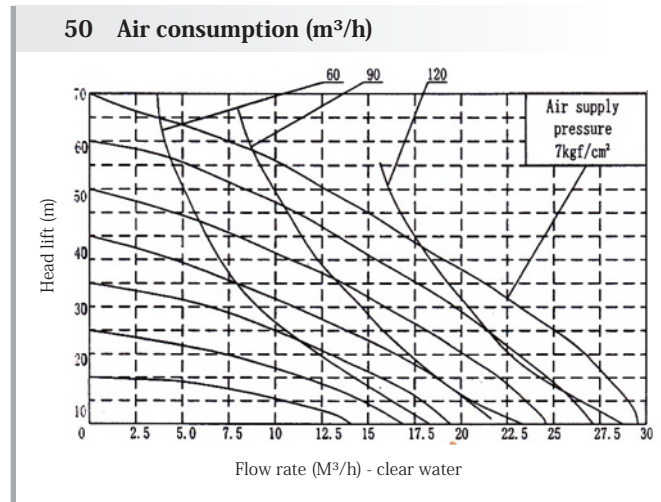
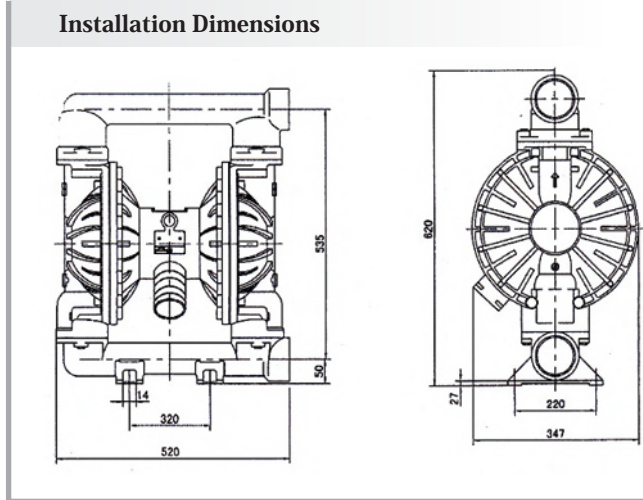
Stock Code : 881218012A - GMB2S-50TFF
 881218024A - GMB2A-50TFF
 881218025A - GMB2A-50B
 881218028A - GMB2P-50TFF



Polypropylene



Aluminum



Specification :

Max. Flow	0 ~ 22 m ³ /h
Max. Lift head	0 ~ 70 m
Outlet pressure	0 ~ 6 kgf/cm ²
Suction lift	0 ~ 5 m
Allowable diameter of grains passing	0 ~ 8 mm
Air supply pressure	0 ~ 7 kgf/cm ²
Air consumption	0 ~ 900 L/min
Air Inlet	1/2 inch
Air Outlet	3/4 inch
Net content - Aluminum	54 kg
- Stainless Steel	75 kg
Gross weight	Carton packaging, plus : 18 kg

*** Product's specification may subject to change without further notice.
 *** Actual product may slightly differ from pictures shown.

ESM411-50
 (18/04/15)