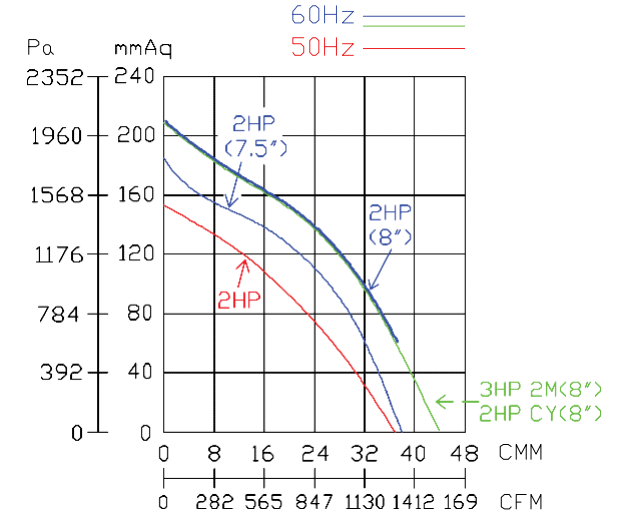
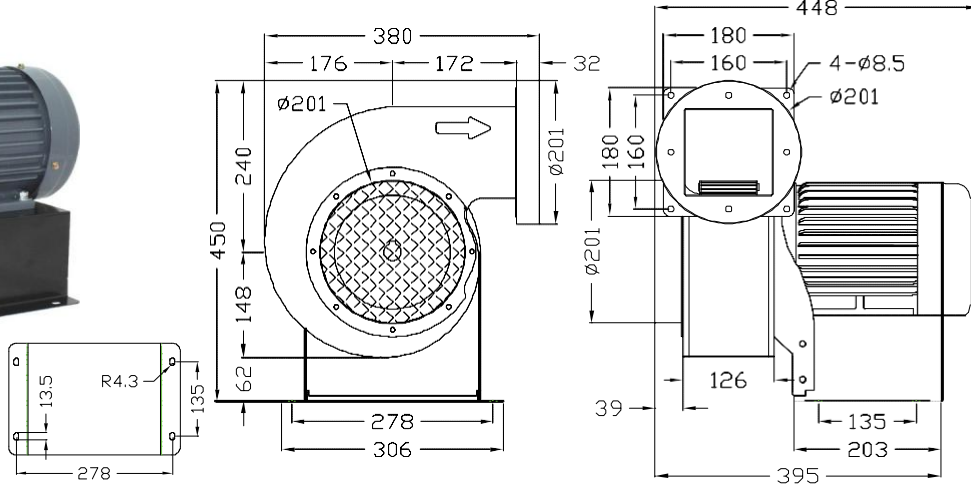


CY200 Specification Sheet



8"



Model	Rated Voltage	Frequency	Phase	Pole	Current	Power	Speed	Max. Air Flow			Max. Pressure			Weight
	V							Hz	Ø	P	A	Watt/HP	R.P.M.	
CY200	240	50	1	2	8	2 HP	2850	37	2220	1306	152	5.98	1491	31
		60			10		3380	44	2640	1553	214	8.43	2099	
	415	50	3	2	CY 5.4 / 3.2		2850	37	2220	1306	152	5.98	1491	30
		60			CY 7.1 / 4.2		3380	44	2640	1553	214	8.43	2099	



CAM YORK INDUSTRIAL CO.,LTD.
NO.613 Jifeng Rd., Wufeng Dist., Taichung City 413, Taiwan.

E-mail : sales@sunwins.com.my
www.sunwins.com.my