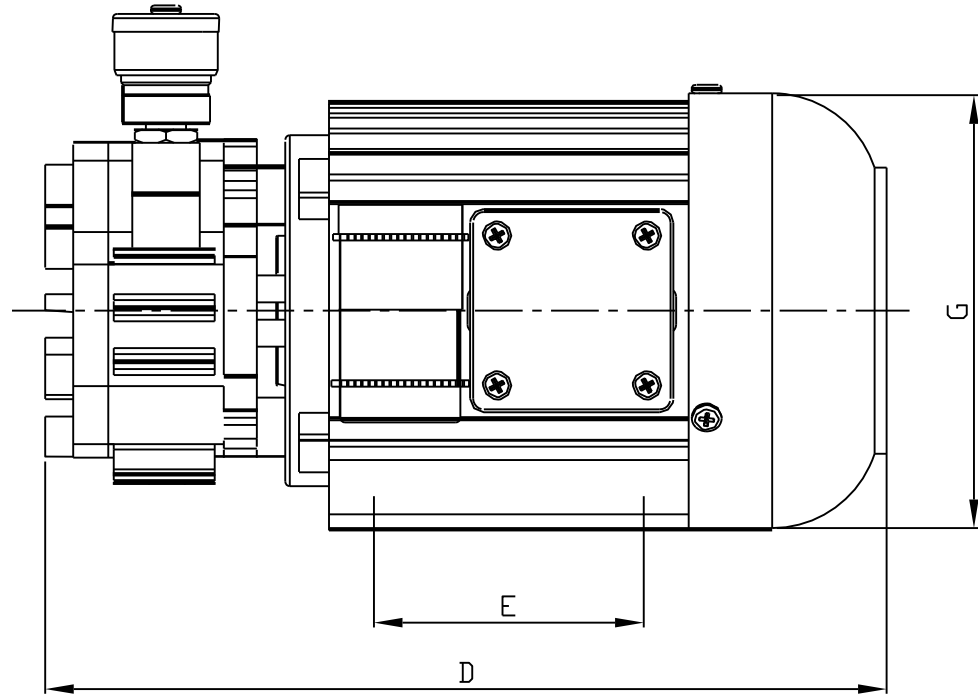
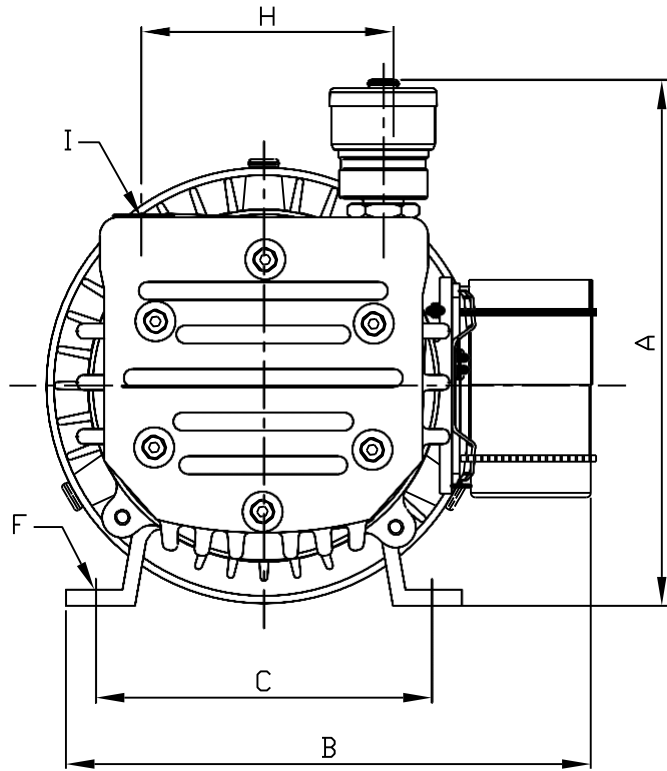


DV-8V Dimension (mm)

A	B	C	D	E	F	G	H	I	Weight
175	168	112	245	90	Φ7	122	82	3/8"	11.5 Kg



MODEL	DV-8V
ul lang Industrial Co., Ltd.	