

# VACUTRONIC

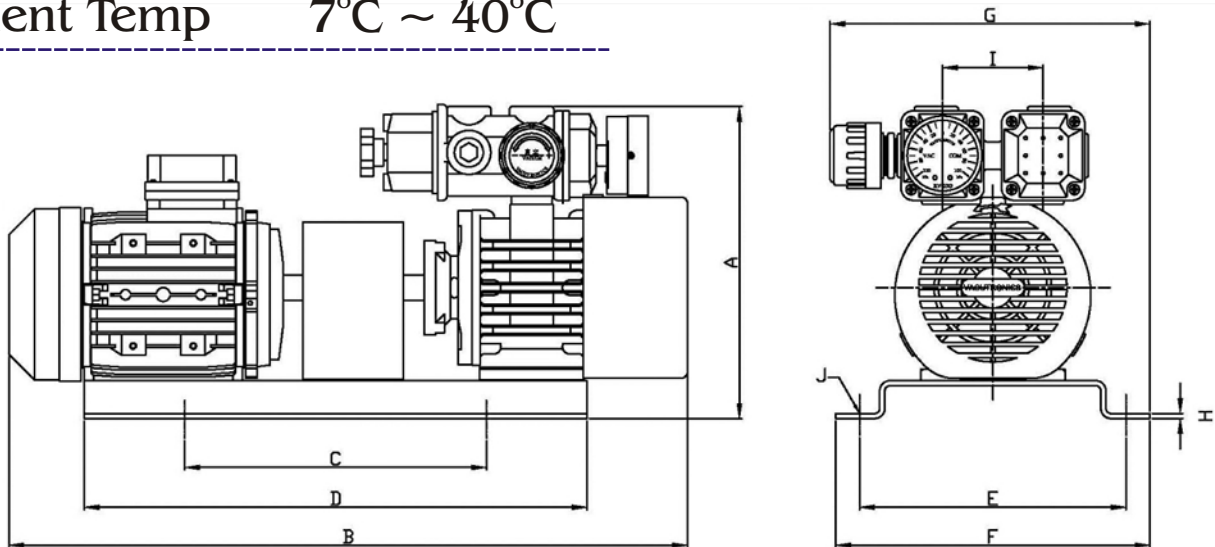
## OIL - LESS

### VANE VACUUM PUMP

#### RV-25V

#### Specification

Power	750W
Voltage	415V
Frequency	50Hz
Phase / Pole	3PH / 4P
Air Capacity	400L/min
Ultimate Pressure	110Torr 14.7Kpa(abs)
Vacuum Pressure	310Torr 41.3Kpa(abs)
Noise Level	64dB
Ambient Temp	7°C ~ 40°C



#### Dimension

Stock Code : 881203004

A	B	C	D	E	F	G	H	I	J	K	Weight
250	540	240	400	212	250	280	4	90	Φ 11.3	PT3/4"	26kg

\*\*\*Product's specification may subject to change without further notice.  
\*\*\*Actual product may slightly differ from pictures shown.

ESM055-vi  
(25/11/14)