



VacServe (Pty) Ltd

Company registration: 1999/016766/07

"Solutions specialists"

Head Office: 135 Snapper Road, Wadeville, PO Box 18093, Rand Airport, Wadeville, 1419 Tel: +27 11 827 1536
Durban Office: New Era House, 6 Joseph Ave, PO Box 20903, Durban North, 4016 Tel: +27 31 572 4495

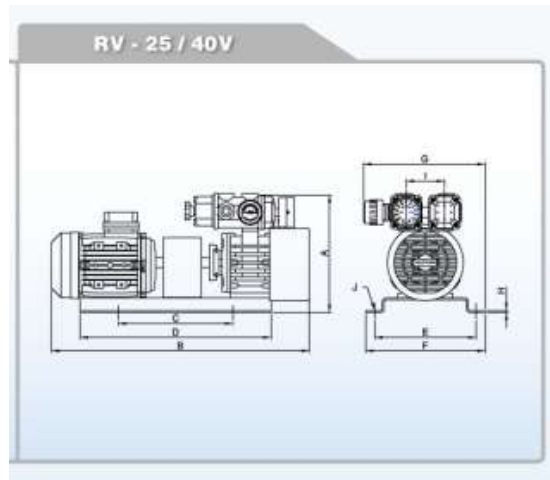


RV-25V



RV-40V

MODEL	TYPE	Hz	L/min	TORR	KPa (abs)	POLE	VOLT	kW	Db	°C
RV-25V	ROTARY	50	400/480	110	14.7	4	220	0.75	64/65	7-40
RV-40V	VANE		570/680	110	14.7			1.5	70/71	



MODEL	A	B	C	D	E	F	G	H	I	J	K	WEIGHT
RV-25V	250	540	240	400	212	250	280	4	90	11.3	3/4"	26 kg
RV-40V	275	640	310	400	236	275	280	4	90	11.3	3/4"	37 kg

AUXILIARY EQUIPMENT AND SPARES



www.vacserve.co.za