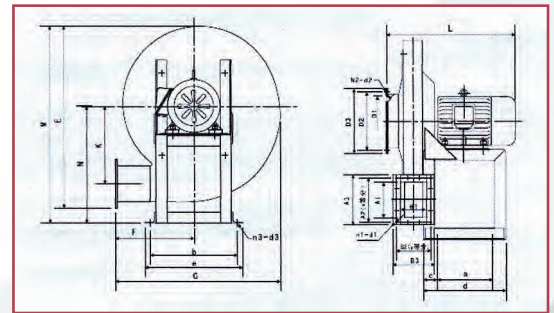


VITOLI

Super HEAVY-DUTY blower

Model :
- 4.5A
- 5A
- 5.6A



Series 9-19

Model	Inlet Diameter				Outlet Diameter								Fan Diameter								Installation Base Diameter					
	D1	D2	D3	n2-d2	A1	A2	A3	B1	B2	B3	X	Y	n1-d2	E	F	G	K	M	N	L	a	b	c	d	e	n3-d3
4A	φ180	φ210	φ234	4-φ7	128	160	182	92	126	148	4	3	14-φ7	669	262	584	286	722	430	470	200	350	50	300	385	4-φ15
4.5A	φ200	φ230	φ254	4-φ7	144	176	198	104	135	160	4	3	14-φ7	749	295	657	322	778	450	570	200	390	50	300	440	4-φ15
5A	φ224	φ260	φ285	4-φ7	160	192	214	115	150	171	4	3	14-φ7	829	328	730	358	864	500	675	340	450	50	440	495	4-φ15
5.6A	φ250	φ285	φ312	8-φ10	179	212	233	129	162	185	4	3	14-φ7	925	367	817	401	958	550	735	350	480	50	450	525	4-φ15

MODEL	4 A	4.5 A	5 A	5.6 A
Power	3 kW	5.5 kW	11 kW	18.5 kW
Voltage	415V / 50Hz / 3PH			
Speed	2900 rpm			
Air Flow	1410 - 1704 m ³ /h	2281 - 2504 m ³ /h	3488 m ³ /h	3619 - 4901 m ³ /h
Pressure	3507 - 3253 Pa	4297 - 4112 Pa	5080 Pa	7109 - 6400 Pa
Size	665 x 550 x 875 mm	740 x 650 x 940 mm	810 x 690 x 1170 mm	-
Net Weight	63 kg	112 kg	136 kg	-
Gross Weight	80 kg	137 kg	156 kg	-
Stock Code	881102035	881102010	881102021	881102029

*** Product's specification subject to change without further notice.
*** Actual product may slightly differ from pictures shown.

ESM480
(02/10/18)