

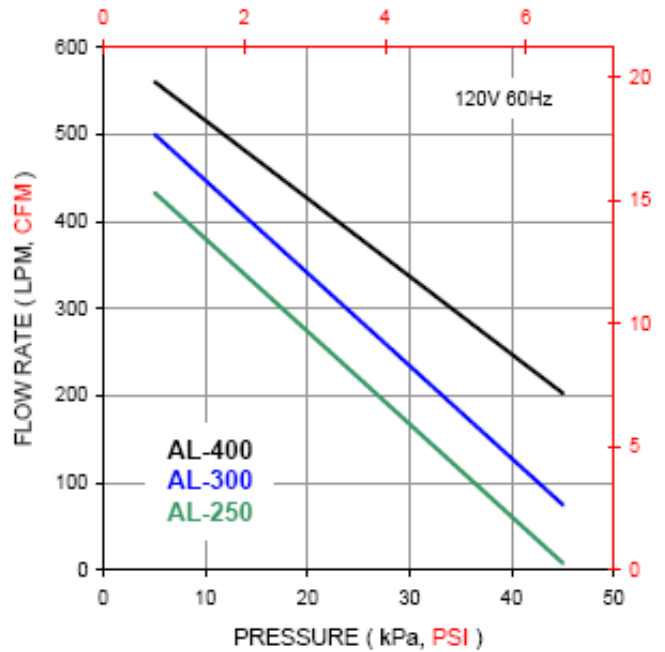


Made In Taiwan

Sunwins Linear Air Pump (HB/AL-250, 300, 400)



Nominal Performance



Specification

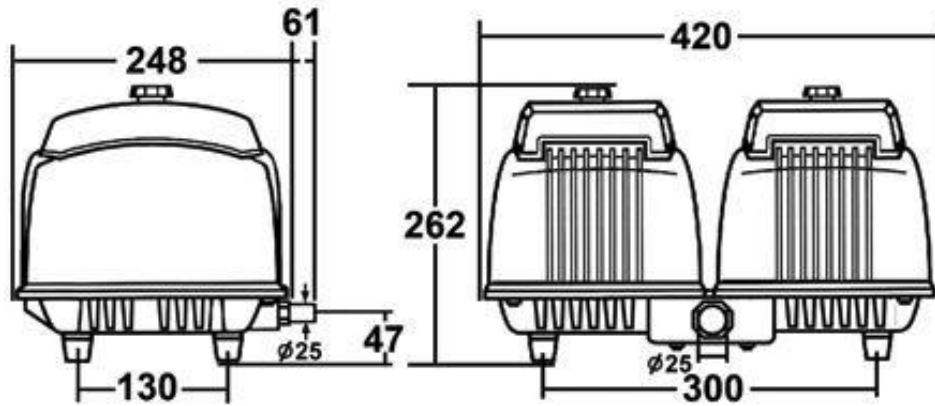
Model	HB-AL-250	HB-AL-300	HB-AL-400
Voltage & Frequency	AC 240 50Hz		
Rated Pressure	20 kPa, 2.9 psi		
Rated Performance (lpm, cfm)	275, 9.7	350, 12.4	435, 15.4
Rated Power (W)	285	336	504
Discharge Fittings	3/4" FPT, 26 mm / 1 in OD		
Dimension LX W X H	420 mm x 248 mm x 262 mm		
Weight (kg,)	19	22	25

Information presented is base on test results from nominal units

***Specifications and performance data are subject to change without notice

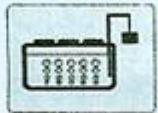
*** Actual Product may slightly differ from the pictures shown

Dimension : Unit mm

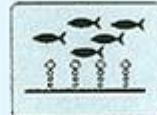


Application

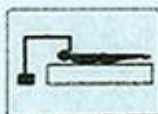
Home



Life



Medical



Industry

