

SUNWINS



High Air
Flow



Overheat
Protection



Low Noise



Solid
Structure



FBD Series Shutter Exhaust Fan

www.sunwins.com.my

Reliability Driven by Innovation

2
Years
warranty



CE CB

SUNWINS

FBD Series

Shutter Exhaust Fan



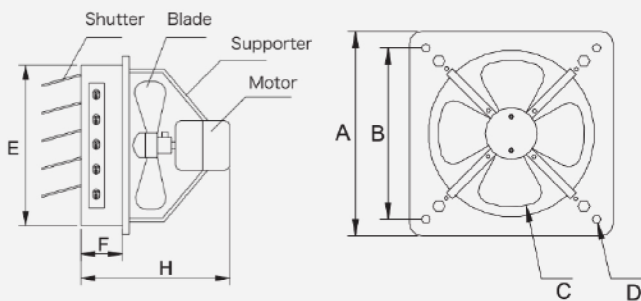
FEATURES

- ✓ 100% Full Copper Motor
- ✓ Designed with automatic on/off shutter
- ✓ Low noise design for perfect ventilation
- ✓ High quality low noise ball bearing
- ✓ Built-in thermal protector for safe operation
- ✓ Structure is built with high quality steel sheet

SPECIFICATION

Model	Size	Power	Voltage	Air Volume (m3/hr)	Speed (rpm)	Noise (dB)
FBD - 30 - 12	12"	45W	240V/50Hz	18	1400	58
FBD - 40 - 16	16"	145W		48		67
FBD - 50 - 20	20"	350W		95		70

DIMENSION



Model	mm							kg	
	A	B	C	D	E	F	H	N.W	G.W
FBD-30-12	376	349	300	11	338	54	200	3.9	4.5
FBD-40-16	480	438	400	12	424	48	267	7.7	8.6
FBD-50-20	605	479	500	15	525	65	335	14	16.7